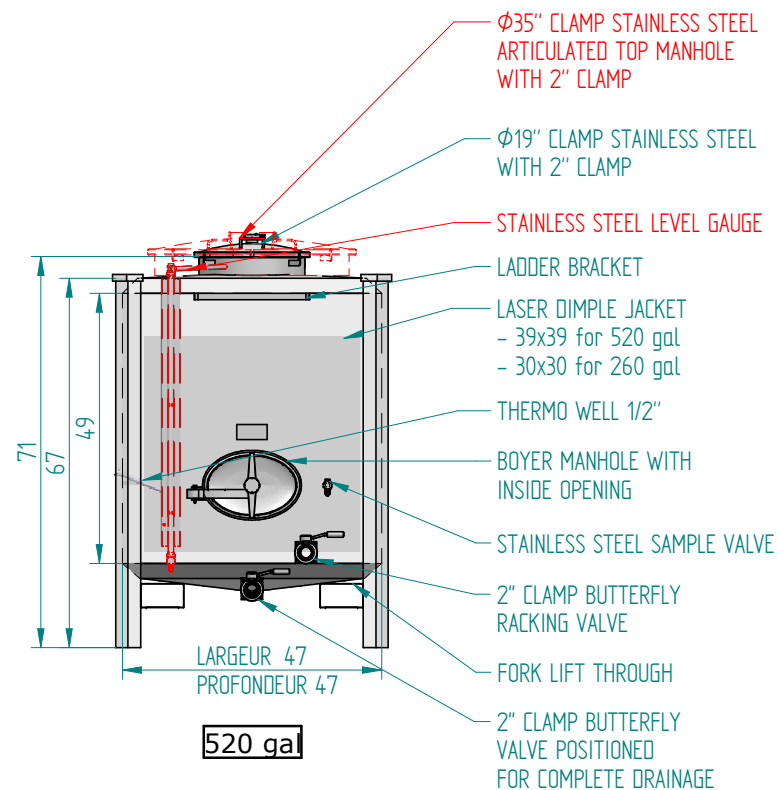
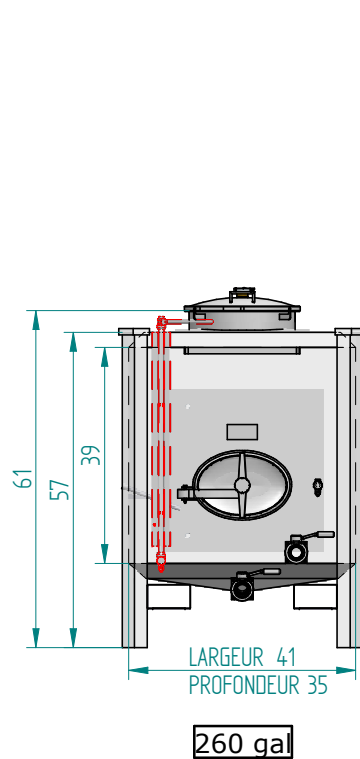


Galerie de chais  
sur  
www.cuveslejeune.fr



SIEGE SOCIAL ET ATELIER:  
3, chemin de Mézières  
33350 Saint Magne de Castillon - France  
TEL: 05.57.56.05.60 - Fax: 05.57.40.23.82  
Email: lejeune.sa@cuveslejeune.fr-www.cuveslejeune.fr

This plan is the exclusive property of LEJEUNE S.A, it can't be duplicated no displayed without previous agreement.

Parallelepipedic tank

PLC Parallelepipedic tank

Modificated on the: 01/02/2016 08:45

Scale: 1/35

A4

VM

**ARTISAN BARRELS  
USA**