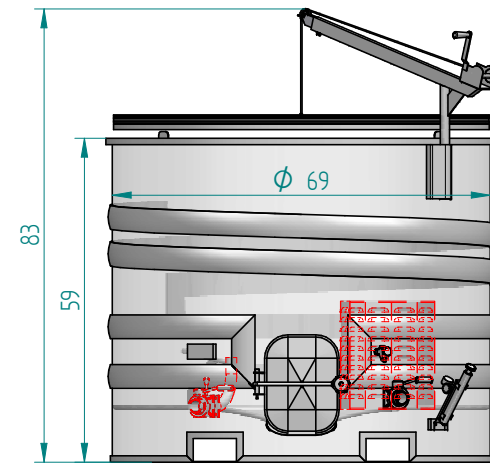
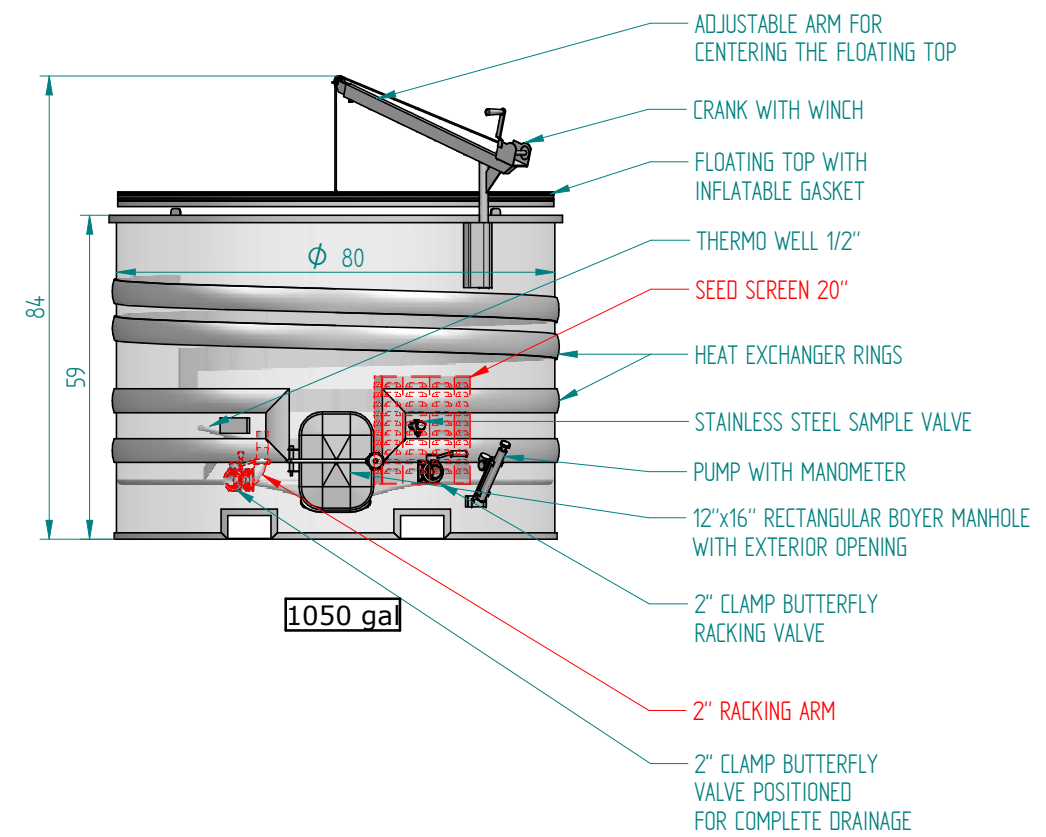


520 gal



790 gal



1050 gal

| | | | |
|---|----|--|--------------------------------|
|  | | SIEGE SOCIAL ET ATELIER: 3, chemin de Mézières 33350 Saint Magne de Castillon - France TEL: 05.57.56.05.60 - Fax: 05.57.40.23.82 Email: lejeune.sa@cuveslejeune.fr-www.cuveslejeune.fr | |
| | | <small>This plan is the exclusive property of LEJEUNE S.A, it can't be duplicated no displayed without previous agreement.</small> | |
| Floating-lid tank | | | |
| PLC Floating-lid tank | | | |
| Modified on the: 13/02/2013 09:38 | | | |
| Scale: 1/35 | A3 | VM | ARTISAN BARRELS USA |